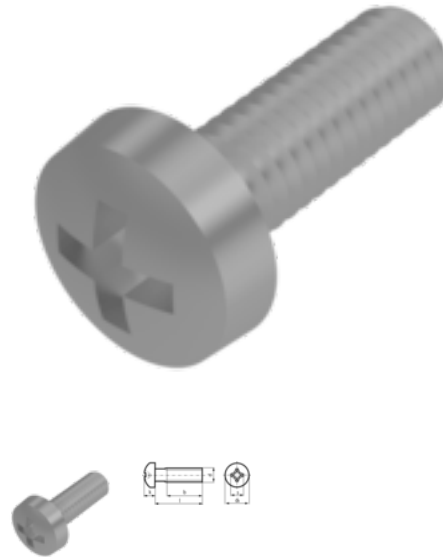


ISO 7045 / DIN 7985, Flat head screw, M 6x40, 4.8, pln, H 3



Article number 127985640	Weight in kg 0.011
Customs number 73181558	Material Steel
Quality 4.8	Coating pln
Force application type Philipps cross recess	Diameter 6 mm
Length 40 mm	Norm ISO 7045 / DIN 7985

Product details

With cross recess, A form, thread up to the head.

Material	Steel
Total length l	40 mm
Length	40 mm
Norm	ISO 7045
Diameter	6 mm
Height of the head k	4.6 mm
Coating	pln
Diameter of the head dk	12 mm
Force application type	Philipps cross recess
Norm	ISO 7045 / DIN 7985
Quality	4.8

Force application	H 3
Diameter d	6 mm

Remarks

Standard was withdrawn. DIN corresponds to ISO 7045. Head dimensions and penetration depth cross recess changed for ISO. Item is delivered according to DIN.

Product variants

Length (mm)	10	12	16	20	25	30	35	40
Norm								
ISO 7045 / DIN 7985	•	•	•	•	•	•	•	•