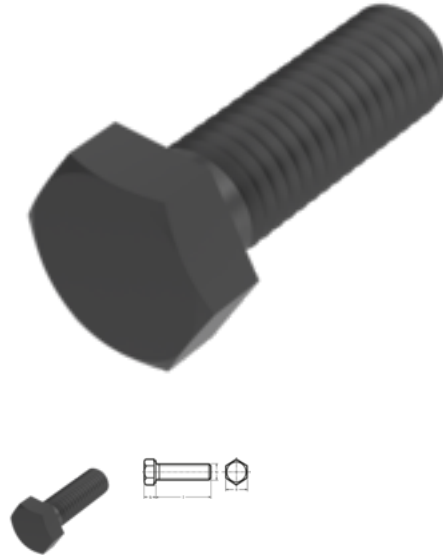


# ISO 4017, Hexagon bolt, M 12x20, 8.8, pln



<b>Article number</b> 1440171220	<b>Weight in kg</b> 0.031
<b>Customs number</b> 73181588	<b>Material</b> Steel
<b>Quality</b> 8.8	<b>Coating</b> pln
<b>Diameter</b> 12 mm	<b>Length</b> 20 mm
<b>Force application</b> SW 18	<b>Norm</b> ISO 4017

## Product details

Threaded close up to the head.

Material	Steel
Force application type	External hex
Length	20 mm
Norm	ISO 4017
Total length l	20 mm
Norm	ISO 4017
Diameter	12 mm
Quality	8.8
Force application	SW 18
Height of the head k	7.5 mm
Coating	pln
Diameter d	12 mm

---



---

## Remarks

---

Replacement for DIN 933. Changed SW for DIN. Item is delivered according to ISO. For further sizes see DIN 933.

---

## Product variants

---

Force application	SW 18	SW 19
<b>Norm</b>		
DIN 933		•
ISO 4017	•	