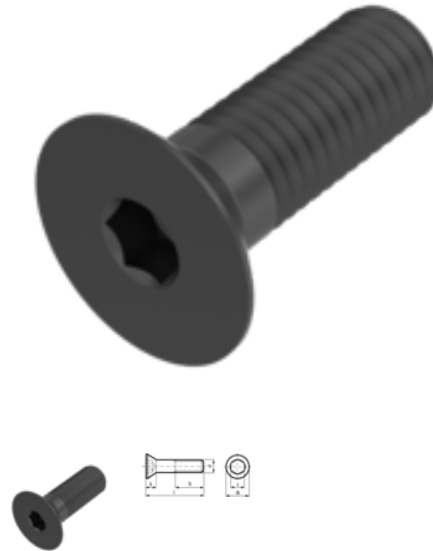


DIN 7991, Countersunk bolt, M 10x100, 08.8, pln



Article number 14799110100	Weight in kg 0.058
Customs number 73181568	Material Steel
Quality 08.8	Coating pln
Force application type Hex socket	Diameter 10 mm
Length 100 mm	

Product details

With hexagon socket, load-bearing capacity 80%.

Material	Steel
Total length l	100 mm
Length	100 mm
Norm	DIN 7991
Diameter	10 mm
Height of the head k	5.5 mm
Diameter of the head dk	20 mm
Coating	pln
Thread length b	26 mm
Force application type	Hex socket
Quality	08.8
Force application	ISK 6

Diameter d	10 mm
Thread type	Metric thread (M)

Remarks

Standard was withdrawn. DIN similar to ISO 10642. Changed head dimensions for ISO. Item is delivered according to DIN.

Product variants

Diameter (mm)	3	4	5	6	8	10	12	16	20
Length (mm)									
12		•				•			
14		•							
16					•				
18			•						
22				•					
25	•								
35					•				•
45		•			•				•
55									•
65							•	•	•
100						•			
110						•		•	