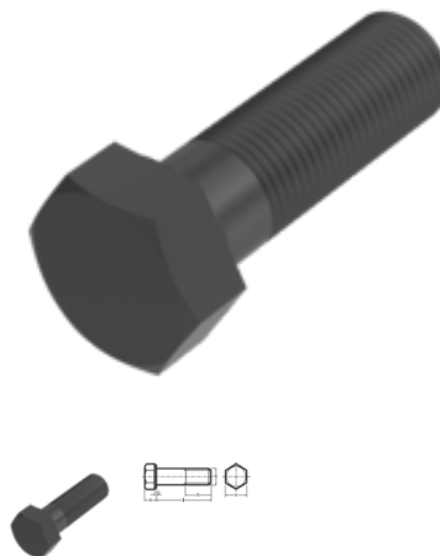


# DIN 960, hexagon head bolt, M 16x1,5x90, 10.9, pln



**Article number**  
1509601690

**EAN**  
None

**Weight in kg**  
0.175

**Customs number**  
73181588

**Quality**  
10.9

**Coating**  
pln

**Thread incline**  
1,5 mm

**Diameter**  
16 mm

**Length**  
90 mm

## Product details

With metric fine thread.

Material	Steel
Total length l	90 mm
Length	90 mm
Norm	DIN 960
Diameter	16 mm
Height of the head k	10 mm
Coating	pln
Thread incline	1.5 mm
Thread length b	38 mm
Force application type	External hex
Quality	10.9
Force application	SW 24

Diameter d 16 mm

### Remarks

Standard was withdrawn. DIN similar to ISO 8765. Sizes M 10, M 12 and M 14 only available in DIN 960.

### Product variants

Diameter (mm)	12	14	16	18	20	24
Length (mm)						
45	•					
50	•	•	•			
55	•	•	•			
60	•	•	•	•	•	
65	•	•	•	•		
70	•	•	•	•	•	
75	•		•		•	
80	•	•	•	•	•	
85				•		
90	•	•	•	•	•	
100	•	•	•	•	•	
105				•		
110	•	•	•	•	•	
120	•	•	•	•	•	
130	•			•	•	
140			•	•		
150	•			•		•
180			•			
190			•		•	
240					•	