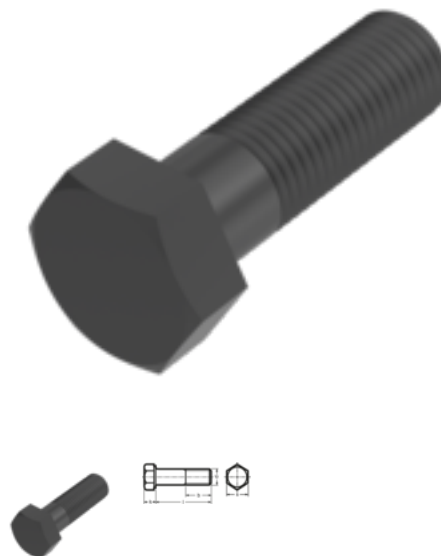


# ISO 4014, Hexagon bolt, M 10x120, 10.9, pln



**Article number**  
15401410120

**EAN**  
None

**Weight in kg**  
0.075

**Customs number**  
73181588

**Diameter**  
10 mm

**Length**  
120 mm

**Material**  
Steel

**Quality additional filter**  
10.9

**Coating**  
pln

**Force application**  
SW 16

**Norm**  
ISO 4014

## Product details

ISO 4014.

Material	Steel
Total length l	120 mm
Length	120 mm
Norm	ISO 4014
Diameter	10 mm
Height of the head k	6.4 mm
Coating	pln
Thread length b	26 mm
Force application type	External hex
Norm	ISO 4014
Quality additional filter	10.9

Force application SW 16

Diameter d 10 mm

### Remarks

Replacement for DIN 931. Changed SW for DIN. Item is delivered according to ISO. For further sizes see DIN 931.

### Application

Universell einsetzbar, vor allem im Maschinenbereich

### Product variants

Force application	SW 16	SW 17
<b>Norm</b>		
DIN 931		•
ISO 4014	•	