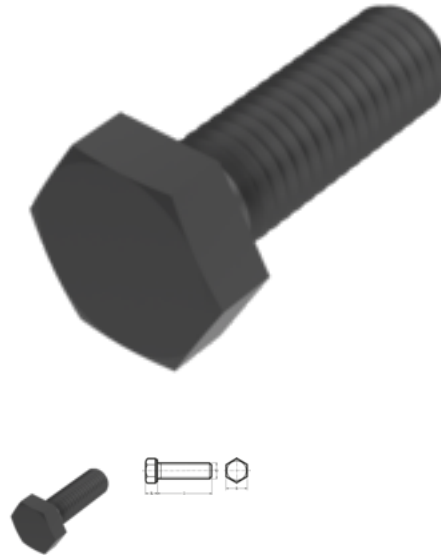


DIN 933, hexagon head bolt, M 20x45, 12.9, pln



Article number
1609332045

EAN
None

Weight in kg
0.165

Customs number
73181588

Material
Steel

Quality
12.9

Coating
pln

Diameter
20 mm

Length
45 mm

Force application
SW 30

Norm
ISO 4017 / DIN 933

Product details

Threaded close up to the head.

Material	Steel
Force application type	External hex
Length	45 mm
Norm	ISO 4017 / DIN 933
Total length l	45 mm
Norm	ISO 4017
Diameter	20 mm
Quality	12.9
Force application	SW 30
Height of the head k	12.5 mm
Coating	pln

Diameter d 20 mm

Remarks

Standard was withdrawn. DIN similar to ISO 4017. Changed SW for ISO. Sizes M 10 and M 12 only available in DIN 933.

Application

Universell einsetzbar, vor allem im Maschinenbereich

Product variants

Force application	SW 30
Norm	
ISO 4017 / DIN 933	•