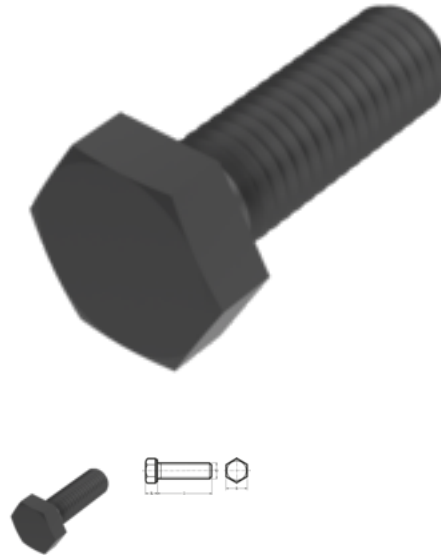


# DIN 933, hexagon head bolt, M 20x90, 12.9, pln



<b>Article number</b> 1609332090	<b>Weight in kg</b> 0.258
<b>Customs number</b> 73181588	<b>Material</b> Steel
<b>Quality</b> 12.9	<b>Coating</b> pln
<b>Diameter</b> 20 mm	<b>Length</b> 90 mm
<b>Force application</b> SW 30	<b>Norm</b> ISO 4017 / DIN 933

## Product details

Threaded close up to the head.

Material	Steel
Force application type	External hex
Length	90 mm
Norm	ISO 4017 / DIN 933
Total length l	90 mm
Norm	ISO 4017
Diameter	20 mm
Quality	12.9
Force application	SW 30
Height of the head k	12.5 mm
Coating	pln
Diameter d	20 mm

---

**Remarks**

---

Standard was withdrawn. DIN similar to ISO 4017. Changed SW for ISO.Sizes M 10 and M 12 only available in DIN 933.

---

**Application**

---

Universell einsetzbar, vor allem im Maschinenbereich

---

**Product variants**

---

Force application	SW 30
Norm	
ISO 4017 / DIN 933	•