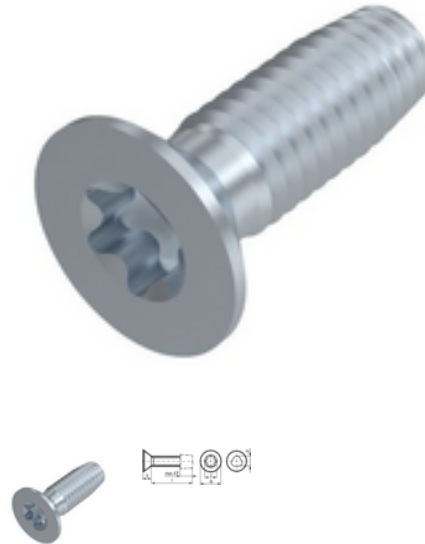


DIN 7500 M, sim. Thread forming screw, M 6x16, ST, zinc-plated, standard, 5 µm, Zn5/An/T0, TX 30



Article number
20750078616

EAN
None

Weight in kg
0.005

Customs number
73181499

Material
Steel

Quality
ST

Coating
zinc-plated, standard, 5 µm, Zn5/An/T0

Force application type
Hexalobular internal

Diameter
6 mm

Length
16 mm

Product details

form M - countersunk head acc. DIN 965.

Material	Steel
Force application type	Hexalobular internal
Length	16 mm
Total length l	16 mm
Norm	DIN 7500 M
Diameter	6 mm
Quality	ST
Force application	TX 30
Height of the head k	3 mm
Coating	zinc-plated, standard, 5 µm, Zn5/An/T0
Diameter of the head dk	11 mm

Diameter d 6 mm

Product variants

Diameter (mm)	2	4	5	6
Length (mm)				
6	•	•		
16			•	•
25				•
40				•