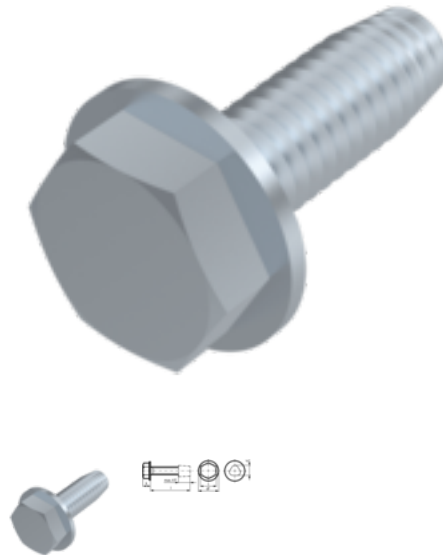


DIN 7500 DE with collar, sim. Thread forming screw, M 3x12, ST, zinc-plated, standard, 5 µm, Zn5/An/T0



Article number
2075009312

Weight in kg
0.001

Customs number
73181499

Material
Steel

Quality
ST

Coating
zinc-plated, standard, 5 µm, Zn5/An/T0

Diameter
3 mm

Length
12 mm

Product details

from DE- hexagon head with collar ISO 4017.

Material	Steel
Length	12 mm
Height h	0.4 mm
Total length l	12 mm
Norm	DIN 7500 DE
Diameter	3 mm
Quality	ST
Height of the head k	2 mm
Force application	SW 5,5
Coating	zinc-plated, standard, 5 µm, Zn5/An/T0
Diameter d	3 mm
Flange diameter df	6.3 mm

Product variants

Diameter (mm)	3	4	5	6	8	10
Length (mm)						
6	•	•				
8	•	•	•	•		
10	•	•	•	•		
12	•	•	•	•	•	
16		•	•	•	•	•
20			•	•	•	•
25		•	•	•	•	•
30				•	•	•
35				•	•	
40					•	•
50				•	•	•