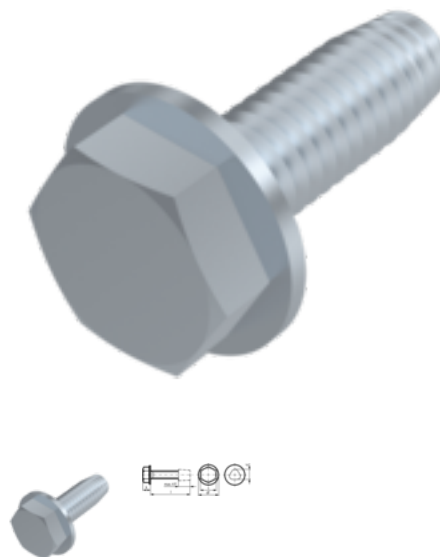


# DIN 7500 DE with collar, sim. Thread forming screw, M 6x30, ST, zinc-plated, standard, 5 µm, Zn5/An/T0



**Article number**  
2075009630

**EAN**  
None

**Weight in kg**  
0.008

**Customs number**  
73181499

**Material**  
Steel

**Quality**  
ST

**Coating**  
zinc-plated, standard, 5 µm, Zn5/An/T0

**Diameter**  
6 mm

**Length**  
30 mm

## Product details

DE form, hexagon head with collar. ISO 4017.

Material	Steel
Length	30 mm
Height h	0.9 mm
Total length l	30 mm
Norm	DIN 7500 DE
Diameter	6 mm
Quality	ST
Height of the head k	4.6 mm
Force application	SW 10
Coating	zinc-plated, standard, 5 µm, Zn5/An/T0
Diameter d	6 mm

Flange diameter df 12.6 mm

## Product variants

Diameter (mm)	3	4	5	6	8	10
Length (mm)						
6	•	•				
8	•	•	•	•		
10	•	•	•	•		
12	•	•	•	•	•	
16		•	•	•	•	•
20			•	•	•	•
25		•	•	•	•	•
30				•	•	•
35				•	•	
40					•	•
50				•	•	•