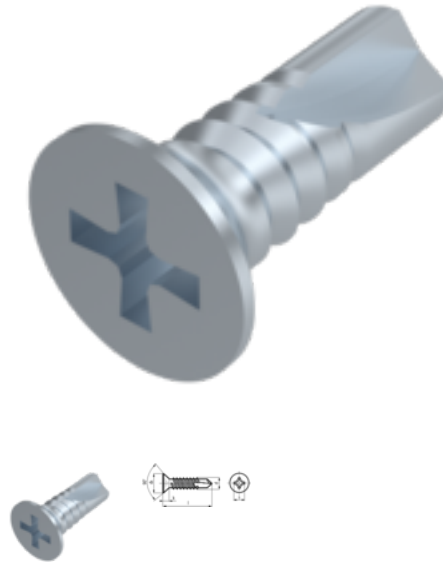


# DIN 7504 O, Self-tapping screw , ST 4,2x13, ST, zinc-plated, standard, 5 µm, Zn5/An/T0, H 2



**Article number**  
20750484213

**EAN**  
None

**Weight in kg**  
0.001

**Customs number**  
73181491

**Material**  
Steel

**Quality**  
ST

**Coating**  
zinc-plated, standard, 5 µm, Zn5/An/T0

**Force application type**  
Philipps cross recess

**Diameter**  
4,2 mm

**Length**  
13 mm

## Product details

Countersunk head according to DIN 7982.

Material	Steel
Force application type	Philipps cross recess
Length	13 mm
Total length l	13 mm
Norm	ISO 15482
Diameter	4.2 mm
Quality	ST
Force application	H 2
Height of the head k	2.6 mm
Coating	zinc-plated, standard, 5 µm, Zn5/An/T0
Diameter of the head dk	8.4 mm

Diameter d 4.2 mm

**Remarks**

Standard was withdrawn. DIN corresponds to ISO 15482 (DRM 3,9 mm not contained in ISO).

**Product variants**

Diameter (mm)	2,9	3,5	3,9	4,2	4,8	5,5	6,3
Length (mm)							
9,5	•	•					
13	•	•	•	•	•		
16	•	•	•	•	•		
19	•	•	•	•	•	•	•
22	•	•	•	•	•		•
25	•	•	•	•	•	•	•
32		•	•	•	•	•	•
38		•	•	•	•	•	•
45			•	•	•	•	•
50			•	•	•	•	•
55				•			
60				•	•	•	•
70				•	•	•	•
80				•	•	•	•
90					•		•
100					•		•
110							•
120							•