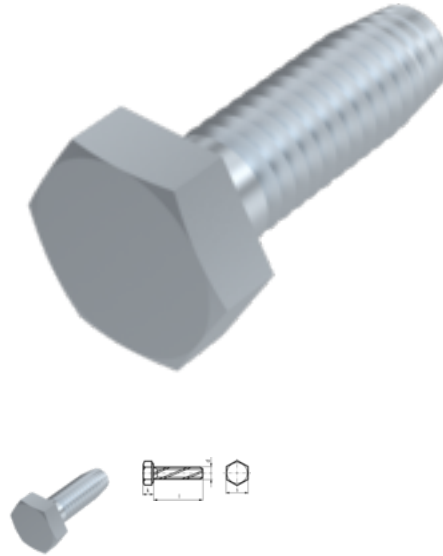


DIN 7513 A, Hexagon head thread cutting screw, M 6x30, ST, zinc-plated, standard, 5 µm, Zn5/An/T0



Article number
207513630

EAN
None

Weight in kg
0.007

Customs number
73181499

Coating
zinc-plated, standard, 5 µm, Zn5/An/T0

Diameter
6 mm

Length
30 mm

Product details

Form A with Hexagon head acc. EN 24017.

Material	Steel
Force application type	External hex
Length	30 mm
Total length l	30 mm
Norm	DIN 7513 A
Diameter	6 mm
Quality	ST
Force application	SW 10
Height of the head k	4.15 mm
Coating	zinc-plated, standard, 5 µm, Zn5/An/T0
Diameter d	6 mm

Product variants

Diameter (mm)	4	5	6	8
Length (mm)				
10	•			
12		•	•	
16				•
30			•	