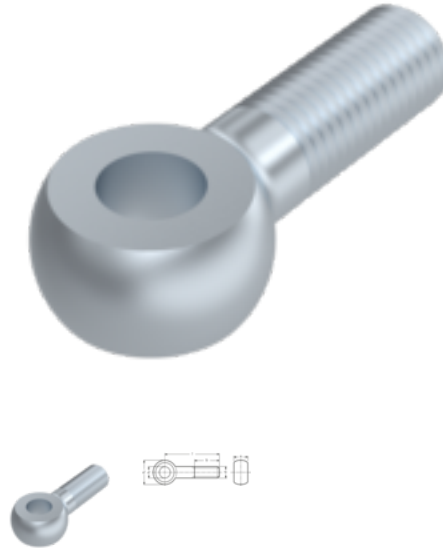


DIN 444 B, Eye bolt, Product class B, M 12x130, 4.6, zinc-plated, standard, 5 µm, Zn5/An/T0



Article number
21044512130

EAN
None

Weight in kg
0.187

Customs number
73181300

Material
Steel

Quality
4.6

Coating
zinc-plated, standard, 5 µm, Zn5/An/T0

Diameter
12 mm

Length
130 mm

Product details

Width b	14 mm
Thread length b	36 mm
Material	Steel
Length	130 mm
Total length l	130 mm
Diameter d2	12 mm
Norm	DIN 444 B
Diameter	12 mm
Quality	4.6
Outer diameter da	25 mm
Coating	zinc-plated, standard, 5 µm, Zn5/An/T0
Diameter d	12 mm

Product variants

Diameter (mm)	5	6	8	10	12	16	20	24
Length (mm)								
20		•						
25		•						
30	•	•	•					
35		•	•					
40		•	•	•	•			
45			•	•				
50		•	•	•	•			
55			•		•			
60		•	•	•	•	•		
70			•	•	•	•		
75				•				
80			•	•	•	•	•	
90			•			•		
100			•	•	•	•	•	
110			•					
120			•	•	•	•	•	•
130					•		•	
150				•	•		•	
160							•	•
180					•	•	•	•
200					•	•	•	•
240					•			