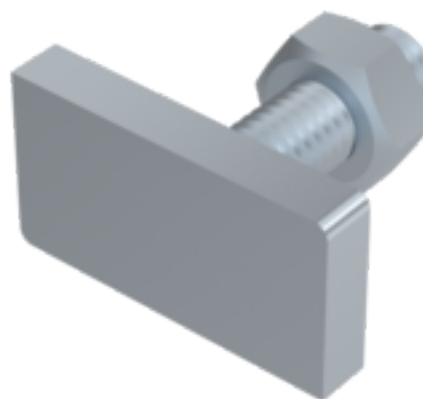


T-bolt, HS 28-15, M 8x20, 4.6, zinc-plated, standard, 5 μ m, Zn5/An/T0



Article number
212815820

EAN
None

Weight in kg
0.018

Customs number
73181595

Material
Steel

Quality
4.6

Coating
zinc-plated, standard, 5 μ m, Zn5/An/T0

Diameter
8 mm

Length
20 mm



Product details

With hexagon nut DIN 934.

Material	Steel
Total length l	20 mm
Length	20 mm
Norm	Hammerkopfschraube 28/15
Diameter	8 mm
Quality	4.6
Coating	zinc-plated, standard, 5 μ m, Zn5/An/T0
Diameter d	8 mm

Product variants

Diameter (mm)	6	8	10	12
Length (mm)				
15	•	•		
20	•	•	•	
25	•	•	•	
30	•	•	•	•
40		•	•	
50		•	•	•
60		•	•	
80		•	•	•