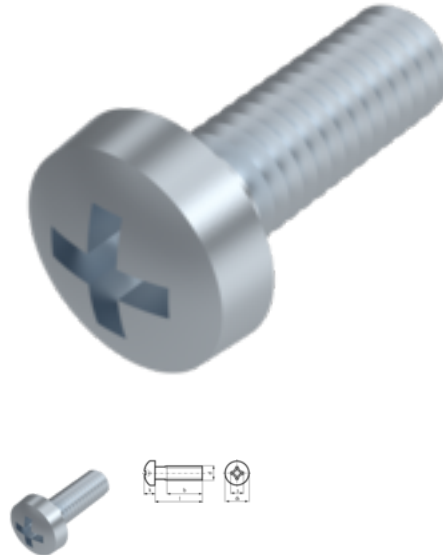


DIN 7985 Flat head screw, M 4x8, 4.8, zinc-plated, standard, 5 µm, Zn5/An/T0, H 2



Article number
22798548

EAN
None

Weight in kg
0.002

Customs number
73181558

Material
Steel

Quality
4.8

Coating
zinc-plated, standard, 5 µm, Zn5/An/T0

Force application type
Philipps cross recess

Diameter
4 mm

Length
8 mm

Norm
DIN 7985

Product details

With cross recess, A form, thread up to the head.

Material	Steel
Total length l	8 mm
Length	8 mm
Norm	DIN 7985
Diameter	4 mm
Height of the head k	3.1 mm
Coating	zinc-plated, standard, 5 µm, Zn5/An/T0
Diameter of the head dk	8 mm
Force application type	Philipps cross recess

Norm	DIN 7985
Quality	4.8
Force application	H 2
Diameter d	4 mm

Remarks

Standard was withdrawn. DIN corresponds to ISO 7045. Head dimensions and penetration depth cross recess changed for ISO. Item is delivered according to DIN.

Product variants

Length (mm)	4	5	6	8	10	12	14	16	18	20	22	25	30	35	40	45	50	55	60	65	70	80
Norm																						
DIN 7985	•	•	•	•	•	•	•	•	•	•	•	•	•	•	•	•	•	•	•	•	•	•