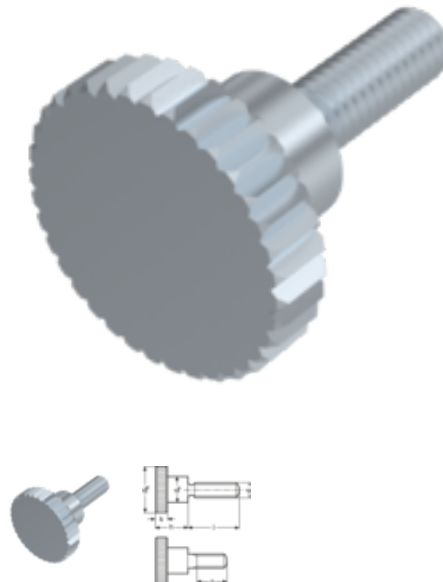


DIN 464, Knurled thumb screw, M 5x16, ST, zinc-plated, standard, 5 µm, Zn5/An/T0



Article number
230464516

EAN
None

Weight in kg
0.017

Customs number
73181595

Material
Steel

Quality
ST

Coating
zinc-plated, standard, 5 µm, Zn5/An/T0

Diameter
5 mm

Length
16 mm

Product details

High form.

Material Steel

Length 16 mm

Total length l 16 mm

Height h 11.5 mm

Diameter d1 10 mm

Norm DIN 464

Diameter 5 mm

Quality ST

Height of the head k 4 mm

Coating zinc-plated, standard, 5 µm, Zn5/An/T0

Diameter of the head dk 20 mm

Diameter d

5 mm

Product variants

Diameter (mm)	3	4	5	6	8
Length (mm)					
6	•	•			
8	•	•			
10	•	•	•	•	•
12		•	•	•	•
16		•	•	•	•
20		•	•	•	•
25			•	•	•
30				•	•
40				•	•
45				•	