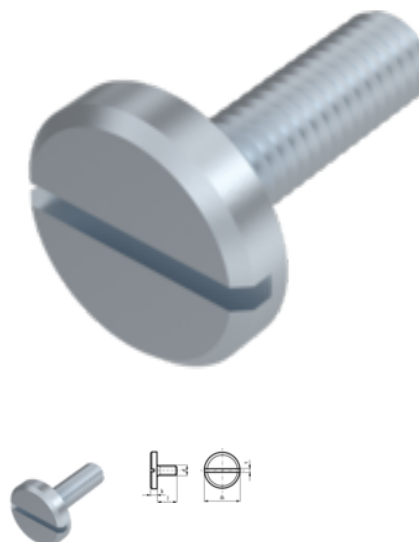


DIN 921, pan head screw, M 5x20, 5.8, zinc-plated, standard, 5 µm, Zn5/An/T0



Article number
230921520CBT

EAN
None

Weight in kg
0.006

Customs number
73181558

Material
Steel

Quality
5.8

Coating
zinc-plated, standard, 5 µm, Zn5/An/T0

Force application type
Slot

Diameter
5 mm

Length
20 mm

Product details

Mit Schlitz und großem Kopf.

Material	Steel
Force application type	Slot
Length	20 mm
Total length l	20 mm
Norm	DIN 921
Diameter	5 mm
Quality	5.8
Force application	SZ 1,2
Height of the head k	2.7 mm
Coating	zinc-plated, standard, 5 µm, Zn5/An/T0
Diameter of the head dk	16 mm

Diameter d 5 mm

Product variants

Diameter (mm)	5	6
Length (mm)		
10		•
16	•	
20	•	
25	•	