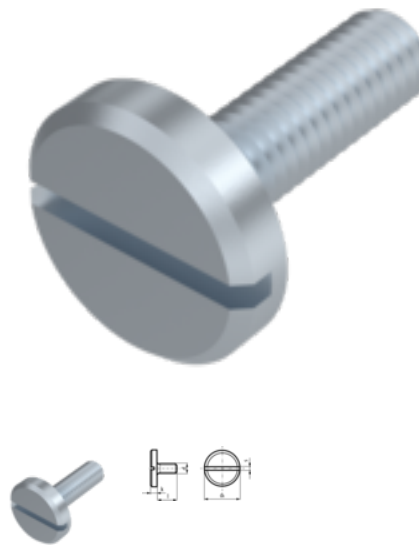


DIN 921, pan head screw, M 6x10, 5.8, zinc-plated, standard, 5 µm, Zn5/An/T0



Article number
230921610

EAN
None

Weight in kg
0.009

Customs number
73181558

Material
Steel

Quality
5.8

Coating
zinc-plated, standard, 5 µm, Zn5/An/T0

Force application type
Slot

Diameter
6 mm

Length
10 mm

Product details

With slot and large head.

Material	Steel
Force application type	Slot
Length	10 mm
Total length l	10 mm
Norm	DIN 921
Diameter	6 mm
Quality	5.8
Force application	SZ 1,6
Height of the head k	3.1 mm
Coating	zinc-plated, standard, 5 µm, Zn5/An/T0
Diameter of the head dk	20 mm

Diameter d 6 mm

Product variants

Diameter (mm)	5	6
Length (mm)		
10		•
16	•	
20	•	
25	•	