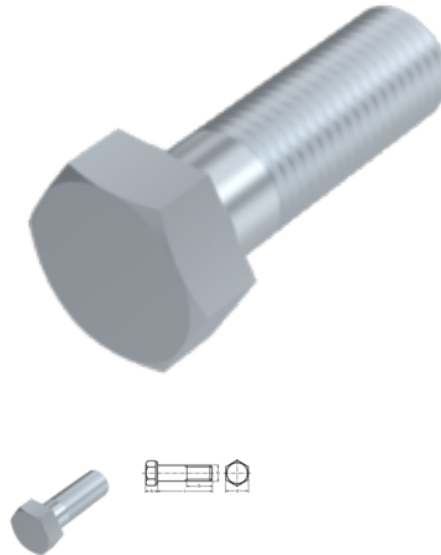


ISO 4014 / DIN 931, hexagon head bolt, M 20x140, 5.6, zinc-plated, standard, 5 µm, Zn5/An/T0



Article number 23093120140	Weight in kg 0.398
Customs number 73181582	Diameter 20 mm
Length 140 mm	Material Steel
Quality additional filter 5.6	Coating zinc-plated, standard, 5 µm, Zn5/An/T0
Force application SW 30	Norm ISO 4014 / DIN 931

Product details

ISO 4014.

Material	Steel
Total length l	140 mm
Length	140 mm
Norm	ISO 4014
Diameter	20 mm
Height of the head k	12.5 mm
Coating	zinc-plated, standard, 5 µm, Zn5/An/T0
Thread length b	52 mm
Force application type	External hex
Norm	ISO 4014 / DIN 931
Quality additional filter	5.6

Force application	SW 30
-------------------	-------

Diameter d	20 mm
------------	-------

Remarks

Changed SW for ISO. M 10, M 12, M 14 and M 22 only available according to DIN 931. For further sizes see ISO 4014.

Application

Universell einsetzbar, vor allem im Maschinenbereich

Product variants

Force application	SW 30
Norm	
ISO 4014 / DIN 931	•