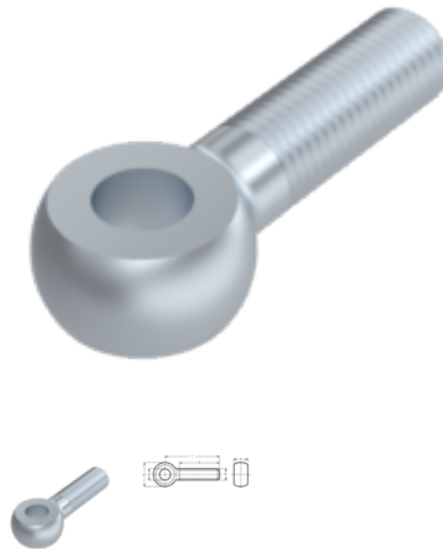


# DIN 444 LB, Eye bolt, product class B, thread near to head, M 16x150, 8.8, zinc-plated, standard, 5 µm, Zn5/An/T0



**Article number**  
240444716150

**EAN**  
None

**Weight in kg**  
0.275

**Customs number**  
73181300

**Material**  
Steel

**Quality**  
8.8

**Coating**  
zinc-plated, standard, 5 µm, Zn5/An/T0

**Diameter**  
16 mm

**Length**  
150 mm

## Product details

Thread length b	134 mm
Material	Steel
Length	150 mm
Total length l	150 mm
Diameter d2	16 mm
Norm	DIN 444 LB
Diameter	16 mm
Quality	8.8
Coating	zinc-plated, standard, 5 µm, Zn5/An/T0
Outer diameter da	32 mm
Thickness s	17 mm

---

## Remarks

---

Achtung: Gewindelänge b ist ein Näherungswert, da Gewinde bis Kopf

---

## Product variants

---

Diameter (mm)	10	16	24
Length (mm)			
75	•		
130			•
150		•	