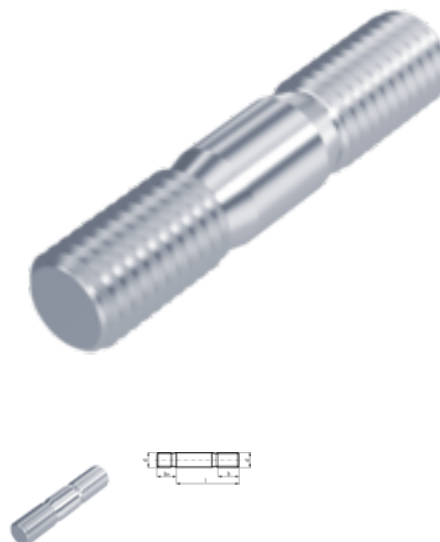


DIN 835, Threaded stud, tol. Sk 6, M 6x30, 8.8, zinc-plated, standard, 5 μm, Zn5/An/T0



Article number
240835630

EAN
None

Weight in kg
0.008

Customs number
73181548

Material
Steel

Quality
8.8

Coating
zinc-plated, standard, 5 μm, Zn5/An/T0

Diameter
6 mm

Length
30 mm

Product details

Screw-in end 2 d.

Thread length b	18 mm
Material	Steel
Length	30 mm
Norm	DIN 835
Diameter	6 mm
Quality	8.8
Coating	zinc-plated, standard, 5 μm, Zn5/An/T0
Diameter d	6 mm
thread length of the stud metal end bm	12 mm
nominal length l	30 mm

Remarks

*) for these threaded studs, the thread length is $b_2 \sim l - (x_1 + 3)$.

Product variants

Diameter (mm)	6	8	10	12
Length (mm)				
16	•			
20	•	•		
25	•	•		•
30	•	•		•
35		•	•	
40	•	•		
45		•		
60		•		
70	•			
80	•			
90	•			
105		•		
150	•			