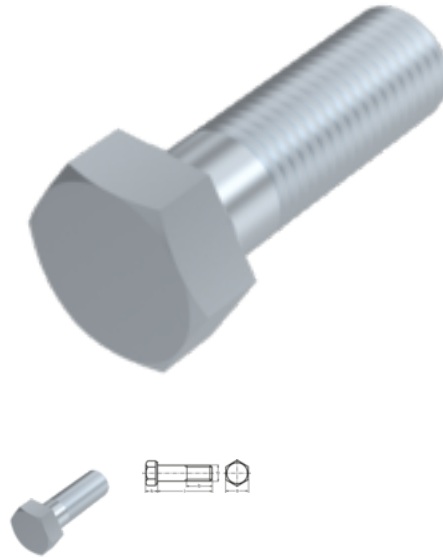


DIN 931, hexagon head bolt, M 12x280, 8.8, zinc-plated, standard, 5 µm, Zn5/An/T0



Article number
24093112280

EAN
None

Weight in kg
0.257

Customs number
73181588

Diameter
12 mm

Length
280 mm

Material
Steel

Quality additional filter
8.8

Coating
zinc-plated, standard, 5 µm, Zn5/An/T0

Force application
SW 19

Norm
DIN 931

Product details

ISO 4014.

Material	Steel
Total length l	280 mm
Length	280 mm
Norm	DIN 931
Diameter	12 mm
Height of the head k	7.5 mm
Coating	zinc-plated, standard, 5 µm, Zn5/An/T0
Thread length b	49 mm
Force application type	External hex

Norm	DIN 931
Quality additional filter	8.8
Force application	SW 19
Diameter d	12 mm

Remarks

Changed SW for ISO. M 10, M 12, M 14 and M 22 only available according to DIN 931. For further sizes see ISO 4014.

Application

Universell einsetzbar, vor allem im Maschinenbereich

Product variants

Force application	SW 19
Norm	
DIN 931	•