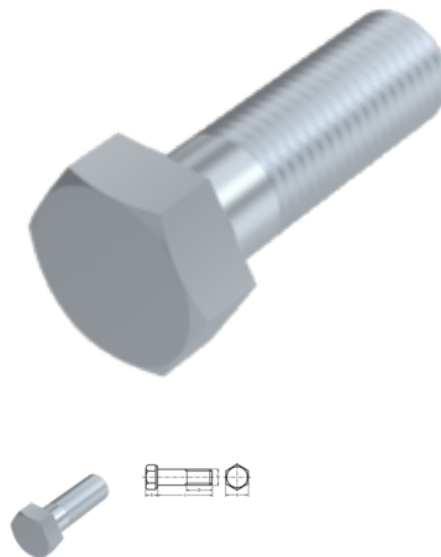


ISO 4014 / DIN 931, hexagon head bolt, M 8x130, 8.8, zinc-plated, standard, 5 µm, Zn5/An/T0



Article number 2409318130	Weight in kg 0.056
Customs number 73181588	Diameter 8 mm
Length 130 mm	Material Steel
Quality additional filter 8.8	Coating zinc-plated, standard, 5 µm, Zn5/An/T0
Force application SW 13	Norm ISO 4014 / DIN 931

Product details

ISO 4014.

Material	Steel
Total length l	130 mm
Length	130 mm
Norm	ISO 4014
Diameter	8 mm
Height of the head k	5.3 mm
Coating	zinc-plated, standard, 5 µm, Zn5/An/T0
Thread length b	28 mm
Force application type	External hex
Norm	ISO 4014 / DIN 931
Quality additional filter	8.8

Force application	SW 13
-------------------	-------

Diameter d	8 mm
------------	------

Remarks

Changed SW for ISO. M 10, M 12, M 14 and M 22 only available according to DIN 931. For further sizes see ISO 4014.

Application

Universell einsetzbar, vor allem im Maschinenbereich

Product variants

Force application	SW 13
Norm	
ISO 4014 / DIN 931	•