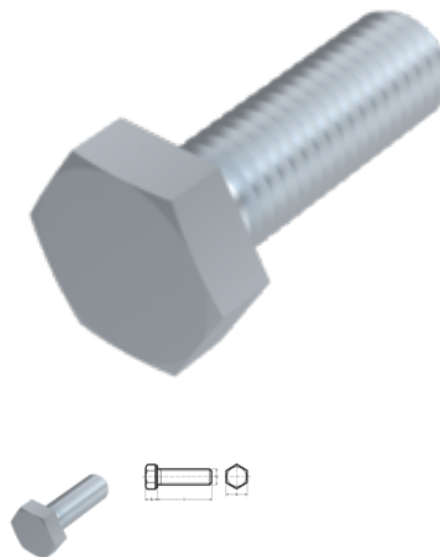


DIN 933, hexagon head bolt, M 12x160, 8.8, zinc-plated, standard, 5 µm, Zn5/An/T0



Article number
24093312160

EAN
None

Weight in kg
0.132

Customs number
73181588

Material
Steel

Quality
8.8

Coating
zinc-plated, standard, 5 µm, Zn5/An/T0

Diameter
12 mm

Length
160 mm

Force application
SW 19

Norm
DIN 933

Product details

Threaded close up to the head.

Material	Steel
Force application type	External hex
Length	160 mm
Norm	DIN 933
Total length l	160 mm
Norm	DIN 933
Diameter	12 mm
Quality	8.8
Force application	SW 19

Height of the head k	7.5 mm
Coating	zinc-plated, standard, 5 µm, Zn5/An/T0
Diameter d	12 mm

Remarks

Standard was withdrawn. DIN similar to ISO 4017. Changed SW for ISO.Sizes M 10, M 12, M 14 and M 22 only available in DIN 933. For further sizes see ISO 4017.

Product variants

Force application	SW 19
Norm	
DIN 933	•