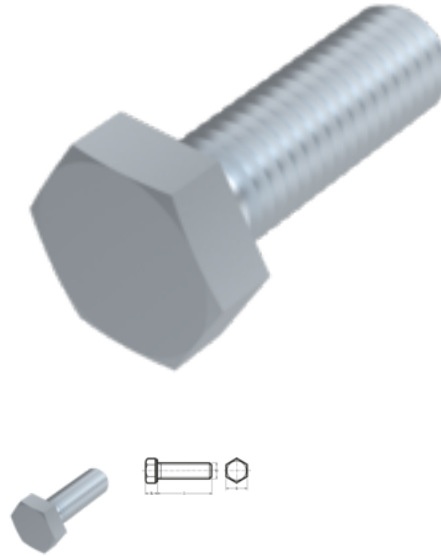


DIN 933, hexagon head bolt, M 12x60, 8.8, zinc-plated, standard, 5 µm, Zn5/An/T0



Article number
2409331260

EAN
None

Weight in kg
0.059

Customs number
73181588

Material
Steel

Quality
8.8

Coating
zinc-plated, standard, 5 µm, Zn5/An/T0

Diameter
12 mm

Length
60 mm

Force application
SW 19

Norm
DIN 933

Product details

Threaded close up to the head.

Material	Steel
Force application type	External hex
Length	60 mm
Norm	DIN 933
Total length l	60 mm
Norm	DIN 933
Diameter	12 mm
Quality	8.8
Force application	SW 19

Height of the head k	7.5 mm
Coating	zinc-plated, standard, 5 µm, Zn5/An/T0
Diameter d	12 mm

Remarks

Standard was withdrawn. DIN similar to ISO 4017. Changed SW for ISO.Sizes M 10, M 12, M 14 and M 22 only available in DIN 933. For further sizes see ISO 4017.

Product variants

Force application	SW 18	SW 19
Norm		
DIN 933		•
ISO 4017	•	