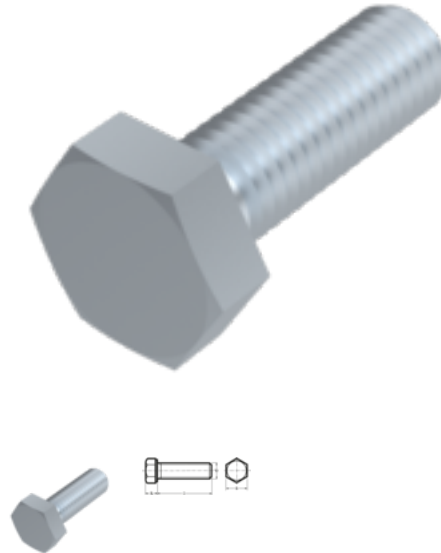


# DIN 933, hexagon head bolt, M 5x45, 8.8, zinc-plated, standard, 5 µm, Zn5/An/T0



**Article number**  
240933545

**EAN**  
None

**Weight in kg**  
0.007

**Customs number**  
73181588

**Material**  
Steel

**Quality**  
8.8

**Coating**  
zinc-plated, standard, 5 µm, Zn5/An/T0

**Diameter**  
5 mm

**Length**  
45 mm

**Force application**  
SW 8

**Norm**  
ISO 4017 / DIN 933

## Product details

Threaded close up to the head.

Material	Steel
Force application type	External hex
Length	45 mm
Norm	ISO 4017 / DIN 933
Total length l	45 mm
Norm	ISO 4017
Diameter	5 mm
Quality	8.8
Force application	SW 8

Height of the head k	3.5 mm
Coating	zinc-plated, standard, 5 µm, Zn5/An/T0
Diameter d	5 mm

## Remarks

Standard was withdrawn. DIN similar to ISO 4017. Changed SW for ISO.Sizes M 10, M 12, M 14 and M 22 only available in DIN 933. For further sizes see ISO 4017.

## Application

Universell einsetzbar, vor allem im Maschinenbereich

## Product variants

Force application	SW 8
Norm	
ISO 4017 / DIN 933	•