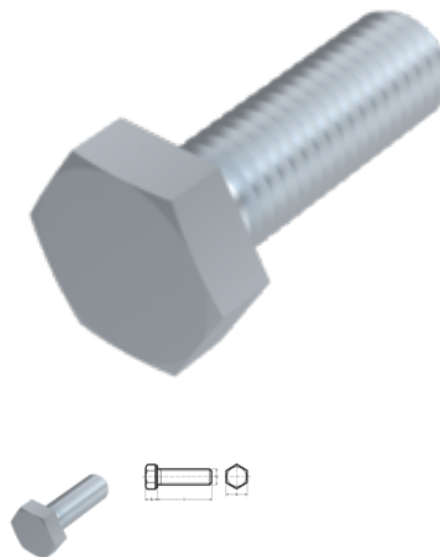


DIN 933, hexagon head bolt, M 8x100, 8.8, zinc-plated, standard, 5 μm, Zn5/An/T0



Article number
2409338100

EAN
None

Weight in kg
0.038

Customs number
73181588

Material
Steel

Quality
8.8

Coating
zinc-plated, standard, 5 μm, Zn5/An/T0

Diameter
8 mm

Length
100 mm

Force application
SW 13

Norm
ISO 4017 / DIN 933

Product details

Threaded close up to the head.

Material	Steel
Force application type	External hex
Length	100 mm
Norm	ISO 4017 / DIN 933
Total length l	100 mm
Norm	ISO 4017
Diameter	8 mm
Quality	8.8
Force application	SW 13

Height of the head k	5.3 mm
Coating	zinc-plated, standard, 5 µm, Zn5/An/T0
Diameter d	8 mm

Remarks

Standard was withdrawn. DIN similar to ISO 4017. Changed SW for ISO.Sizes M 10, M 12, M 14 and M 22 only available in DIN 933. For further sizes see ISO 4017.

Application

Universell einsetzbar, vor allem im Maschinenbereich

Product variants

Force application	SW 13
Norm	
ISO 4017 / DIN 933	•