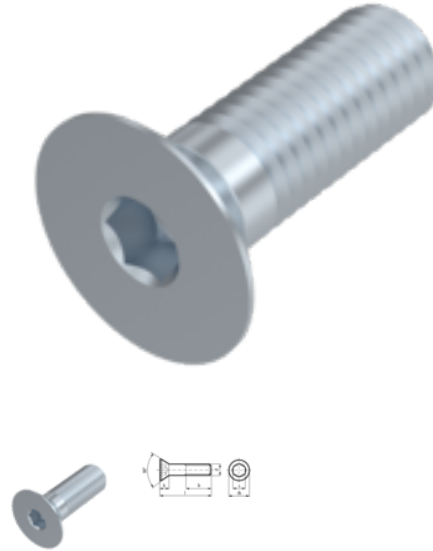


# ISO 10642, Countersunk head screw, M 4x12, 08.8, zinc-plated, standard, 5 µm, Zn5/An/T0



**Article number**  
2410642412

**EAN**  
None

**Weight in kg**  
0.001

**Customs number**  
73181568

**Material**  
Steel

**Quality**  
08.8

**Coating**  
zinc-plated, standard, 5 µm, Zn5/An/T0

**Quality additional filter**  
08.8

**Force application type**  
Hex socket

**Diameter**  
4 mm

**Length**  
12 mm

## Product details

Dickschichtpassivierung 5µ.

Material	Steel
Total length l	12 mm
Length	12 mm
Norm	ISO 10642
Diameter	4 mm
Height of the head k	2.48 mm
Coating	zinc-plated, standard, 5 µm, Zn5/An/T0
Diameter of the head dk	8.96 mm
Thread length b	12 mm

Force application type	Hex socket
Quality additional filter	08.8
Force application	ISK 2,5
Quality	08.8
Diameter d	4 mm
Thread type	Metric thread (M)

## Properties

Due to the head geometry, the screws have only limited load capacity, see DIN EN ISO 898-1.

## Remarks

ISO 10642 is the replacement for the withdrawn DIN 7991. Only limited interchangeability. Changed head dimensions for ISO. Ø M18, M22, M24, however, can still be obtained as DIN.

## Product variants

Diameter (mm)	3	4	5	6	8	10	12	14	16	18	20	24
Length (mm)												
6	•	•	•									
8	•	•	•	•								
10	•	•	•	•	•							
12	•	•	•	•	•	•						
14	•	•	•	•	•							
16	•	•	•	•	•	•						
18	•	•	•	•	•	•						
20	•	•	•	•	•	•	•		•			
22		•	•	•	•	•						
25	•	•	•	•	•	•	•		•			
30	•	•	•	•	•	•	•	•	•		•	
35		•	•	•	•	•	•	•	•		•	
40		•	•	•	•	•	•	•	•		•	•
45			•	•	•	•	•	•	•		•	
50	•	•	•	•	•	•	•		•		•	
55				•	•	•	•		•		•	
60			•	•	•	•	•	•	•	•	•	
65				•	•	•	•		•			
70				•	•	•	•		•		•	
75					•							
80				•	•	•	•		•		•	•
90				•	•	•	•		•		•	
100					•	•	•		•		•	
110				•	•	•	•					
120				•		•	•	•	•			
130							•					
140						•						
150					•							

---

Diameter (mm)	3	4	5	6	8	10	12	14	16	18	20	24
Length (mm)												
160						•						