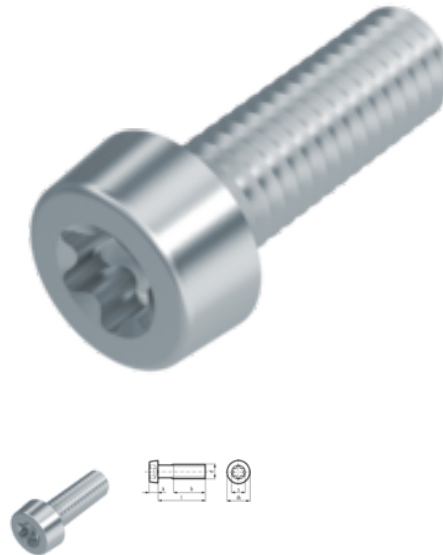


ISO 14580, Cap screw with hexalobular socket, M 8x16, 08.8, zinc-plated, standard, 5 µm, Zn5/An/T0, TX 45



Article number
2414580816

EAN
None

Weight in kg
0.01

Customs number
73181595

Material
Steel

Quality
08.8

Coating
zinc-plated, standard, 5 µm, Zn5/An/T0

Force application type
Hexalobular internal

Diameter
8 mm

Length
16 mm

Product details

Material	Steel
Force application type	Hexalobular internal
Length	16 mm
Total length l	16 mm
Norm	ISO 14580
Diameter	8 mm
Quality	08.8
Force application	TX 45
Height of the head k	5.8 mm
Coating	zinc-plated, standard, 5 µm, Zn5/An/T0
Diameter of the head dk	13 mm
Diameter d	8 mm

Product variants

Diameter (mm)	2,5	3	4	5	6	8	10
Length (mm)							
5		•					
6	•	•	•				
8	•	•	•	•	•		
10	•	•	•	•	•	•	
12		•	•	•	•	•	
14		•	•	•			
16		•	•	•	•	•	
18		•					
20		•	•	•	•	•	
25		•	•	•	•	•	
30				•	•	•	
35		•				•	
40		•	•			•	
45		•				•	
50						•	•