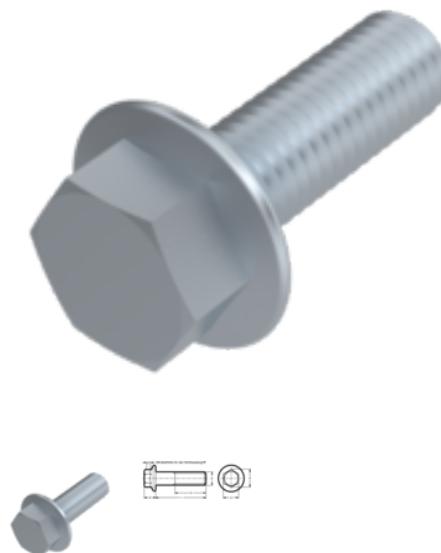


# DIN 6921, hexagon head bolt, M 6x12, 8.8, zinc-plated, standard, 5 µm, Zn5/An/T0



**Article number**  
246921612

**EAN**  
None

**Weight in kg**  
0.005

**Customs number**  
73181588

**Material**  
Steel

**Quality**  
8.8

**Coating**  
zinc-plated, standard, 5 µm, Zn5/An/T0

**Force application type**  
External hex

**Diameter**  
6 mm

**Length**  
12 mm

## Product details

With flange.

Material	Steel
Total length l	12 mm
Length	12 mm
Minimum height for recess km	2.5 mm
Norm	DIN 6921
Diameter	6 mm
Height of the head k	6.6 mm
Coating	zinc-plated, standard, 5 µm, Zn5/An/T0
Thread length b	12 mm
Force application type	External hex
Quality	8.8

Force application	SW 10
Diameter d	6 mm
Flange diameter df	14.2 mm

## Remarks

Standard was withdrawn. DIN corresponds to EN 1665.

## Product variants

Diameter (mm)	5	6	8	10	12	14	16	20
Length (mm)								
10	•	•						
12	•	•	•					
16	•	•	•	•				
18	•							
20	•	•	•	•				
23		•						
25	•	•	•	•	•		•	
30	•	•	•	•	•		•	
35		•	•	•	•		•	
40		•	•	•	•		•	
45		•	•	•	•		•	
50		•	•	•	•		•	•
55			•	•				
60		•	•	•	•		•	
65		•		•				
70				•				•
75				•				
80			•		•	•	•	•
85			•					
110							•	