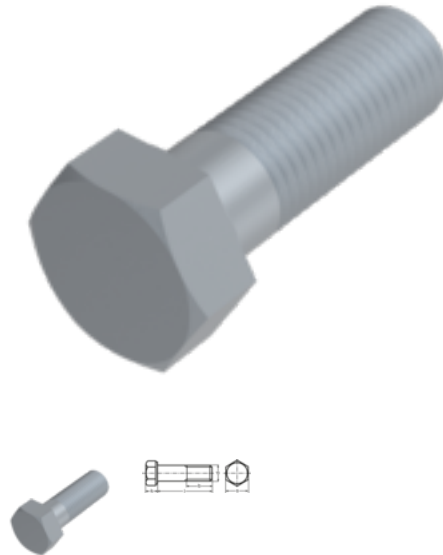


DIN 931, hexagon head bolt, M 12x140, 8.8, HDG, ISO suitable



Article number
25093112140

Weight in kg
0.136

Diameter
12 mm

Material
Steel

Coating
HDG, ISO suitable

Norm
DIN 931

EAN
None

Customs number
73181588

Length
140 mm

Quality additional filter
8.8

Force application
SW 19

Product details

ISO 4014.

Material	Steel
Total length l	140 mm
Length	140 mm
Norm	DIN 931
Diameter	12 mm
Height of the head k	7.5 mm
Coating	HDG, ISO suitable
Thread length b	36 mm
Force application type	External hex
Norm	DIN 931

Quality additional filter	8.8
Force application	SW 19
Diameter d	12 mm

Remarks

Changed SW for ISO. M 10, M 12, M 14 and M 22 only available according to DIN 931. For further sizes see ISO 4014.

Application

Universell einsetzbar, vor allem im Maschinenbereich

Product variants

Force application	SW 19
Norm	
DIN 931	•