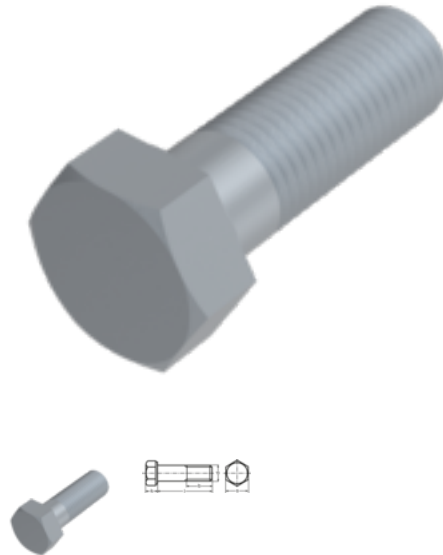


ISO 4014 / DIN 931, hexagon head bolt, M 20x250, 8.8, HDG



Article number
25093120250

EAN
None

Weight in kg
0.693

Customs number
73181588

Diameter
20 mm

Length
250 mm

Material
Steel

Quality additional filter
8.8

Coating
HDG

Force application
SW 30

Norm
ISO 4014 / DIN 931

Product details

ISO 4014 - DIN 931, Sechskantschraube

Material	Steel
Total length l	250 mm
Length	250 mm
Norm	ISO 4014
Diameter	20 mm
Height of the head k	12.5 mm
Coating	HDG
Thread length b	65 mm
Force application type	External hex
Norm	ISO 4014 / DIN 931

Quality additional filter	8.8
Force application	SW 30
Diameter d	20 mm

Remarks

Achtung DIN 931 zurückgezogen: Bedingt austauschbar mit ISO 4014, geänderte Schlüsselweite bei M 10, M 12, M 14 und M 22, sonst identisch

Application

Universell einsetzbar, vor allem im Maschinenbereich

Product variants

Force application	SW 30
Norm	
ISO 4014 / DIN 931	•