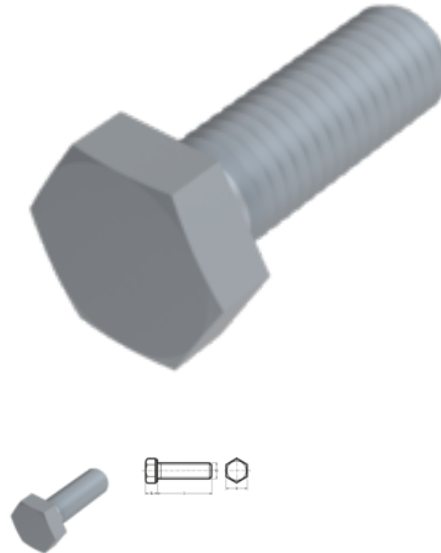


# DIN 933, hexagon head bolt, M 16x80, 8.8, HDG, ISO suitable



**Article number**  
2509331680

**Weight in kg**  
0.144

**Material**  
Steel

**Coating**  
HDG, ISO suitable

**Length**  
80 mm

**Norm**  
ISO 4017 / DIN 933

**EAN**  
None

**Customs number**  
73181588

**Quality**  
8.8

**Diameter**  
16 mm

**Force application**  
SW 24

## Product details

Threaded close up to the head.

Material	Steel
Force application type	External hex
Length	80 mm
Norm	ISO 4017 / DIN 933
Total length l	80 mm
Norm	ISO 4017
Diameter	16 mm
Quality	8.8
Force application	SW 24
Height of the head k	10 mm

Coating	HDG, ISO suitable
---------	-------------------

Diameter d	16 mm
------------	-------

**Remarks**

Standard was withdrawn. DIN similar to ISO 4017. Changed SW for ISO. Sizes M 10, M 12, M 14 and M 22 only available in DIN 933. For further sizes see ISO 4017.

**Application**

Universell einsetzbar, vor allem im Maschinenbereich

**Product variants**

Force application	SW 24
Norm	
ISO 4017 / DIN 933	•