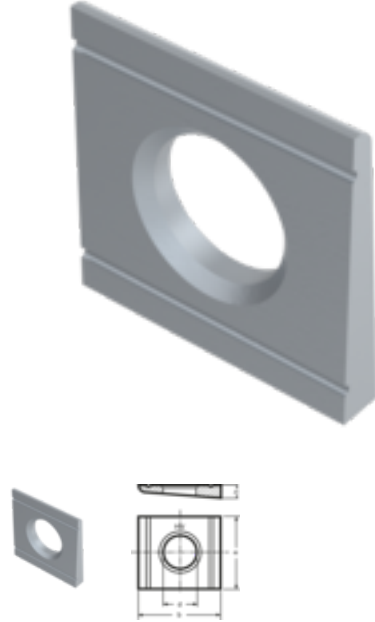


# DIN 6918 Square taper washer, 23 mm, C45, HDG



**Article number**  
25691823

**EAN**  
None

**Weight in kg**  
0.081

**Customs number**  
73182200

**Inner diameter**  
23 mm

**Suitable for screw diameter**  
M22

**Height h**  
8 mm

## Product details

For HV connections (U-girders).

Width b	50 mm
Material	Steel
Suitable for screw diameter	M22
Total length l	44 mm
Inner diameter	23 mm
Height h	8 mm
Norm	DIN 6918
Quality	C45
Coating	HDG
Diameter d1	23 mm

## Product variants

---

Suitable for screw diameter	M22
Height h (mm)	.
8	.