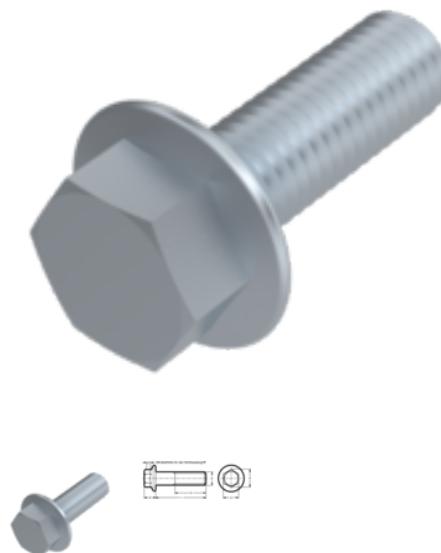


# DIN 6921, hexagon head bolt, M 10x30, 10.9, zinc-plated, standard, 5 µm, Zn5/An/T0



**Article number**  
2569211030

**EAN**  
None

**Weight in kg**  
0.023

**Customs number**  
73181588

**Material**  
Steel

**Quality**  
10.9

**Coating**  
zinc-plated, standard, 5 µm, Zn5/An/T0

**Force application type**  
External hex

**Diameter**  
10 mm

**Length**  
30 mm

## Product details

With flange.

Material	Steel
Total length l	30 mm
Length	30 mm
Minimum height for recess km	3.6 mm
Norm	DIN 6921
Diameter	10 mm
Height of the head k	9.2 mm
Coating	zinc-plated, standard, 5 µm, Zn5/An/T0
Thread length b	26 mm
Force application type	External hex
Quality	10.9

Force application	SW 15
Diameter d	10 mm
Flange diameter df	22.3 mm

### Remarks

Standard was withdrawn. DIN corresponds to EN 1665. Attention: Possibility of hydrogen embrittlement acc. ISO 4042. For further questions, please contact us under: [engineering@keller-kalmbach.com](mailto:engineering@keller-kalmbach.com)

### Product variants

Diameter (mm)	5	6	8	10	12	16
Length (mm)						
8		•				
12	•					
16			•			
20			•	•		
25			•		•	
30		•		•		
35						•
40				•	•	•
45					•	
50				•	•	
55				•	•	
60				•		
70				•	•	
100				•		
160						•