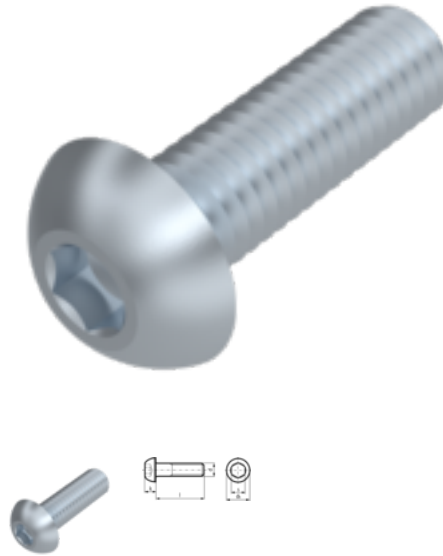


DIN EN ISO 7380-1, Button head screw, M 4x12, 010.9, zinc-plated, standard, 5 µm, Zn5/An/T0



Article number
257380412

EAN
None

Weight in kg
0.002

Customs number
73181568

Material
Steel

Quality
010.9

Coating
zinc-plated, standard, 5 µm, Zn5/An/T0

Force application type
Hex socket

Diameter
4 mm

Length
12 mm

Product details

Part 1 - head A form, with internal hexagon.

Material	Steel
Depth t	1.3 mm
Total length l	12 mm
Length	12 mm
Norm	ISO 7380-1
Diameter	4 mm
Height of the head k	2.2 mm
Coating	zinc-plated, standard, 5 µm, Zn5/An/T0
Diameter of the head dk	7.6 mm
Force application type	Hex socket
Force application	ISK 2,5

Quality 010.9

Diameter d 4 mm

Remarks

Load-bearing capacity 80%. Attention: Possibility of hydrogen embrittlement acc. ISO 4042. For further questions, please contact us under: engineering@keller-kalmbach.com

Product variants

Diameter (mm)	3	4	5	6	8	10	12
Length (mm)							
4	•	•					
5	•	•					
6	•	•	•	•			
8	•	•	•	•	•		
10	•	•	•	•	•		
12	•	•	•	•	•		
14	•	•	•	•	•	•	•
16	•	•	•	•	•	•	
18	•	•	•	•	•		
20	•	•	•	•	•	•	•
22	•			•		•	
25	•	•	•	•	•	•	•
30	•	•	•	•	•	•	•
35		•	•	•	•	•	•
40			•	•	•	•	•
45			•	•	•	•	•
50			•	•	•	•	•
55				•	•	•	
60				•	•	•	•
65					•		
70				•	•	•	
80					•	•	
90					•		
100					•		