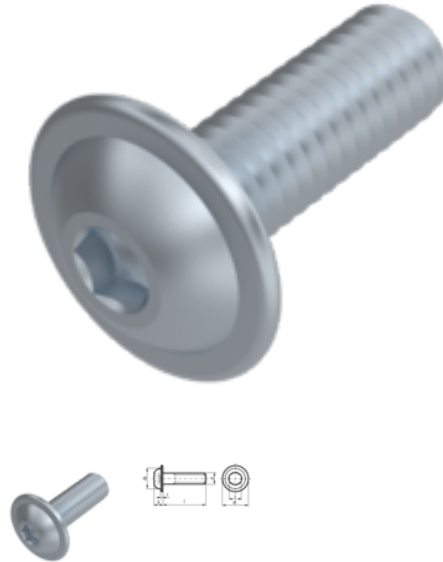


DIN EN ISO 7380-2, Round head flanged screw, M 3x6, 010.9, zinc-plated, standard, 5 µm, Zn5/An/T0



Article number
25738136

EAN
None

Weight in kg
0

Customs number
73181568

Material
Steel

Quality
010.9

Coating
zinc-plated, standard, 5 µm, Zn5/An/T0

Force application type
Hex socket

Diameter
3 mm

Length
6 mm

Product details

Part 2 - head B form, with hexagon socket head.

Material	Steel
Total length l	6 mm
Length	6 mm
Norm	ISO 7380 2
Diameter	3 mm
Height of the head k	1.65 mm
Coating	zinc-plated, standard, 5 µm, Zn5/An/T0
Thickness s	0.7 mm
Force application type	Hex socket
Force application	ISK 2
Quality	010.9

Diameter d	3 mm
Flange diameter df	6.9 mm

Remarks

Attention: Possibility of hydrogen embrittlement acc. ISO 4042. For further questions, please contact us under: engineering@keller-kalmbach.com

Product variants

Diameter (mm)	3	4	5	6	8	10	12
Length (mm)							
5	•						
6	•	•	•	•			
8	•	•	•	•		•	
10	•	•	•	•	•		
12	•	•	•	•	•	•	
14			•	•	•		
16	•	•	•	•	•	•	
18			•	•	•		
20	•	•	•	•	•	•	•
22				•	•		
25		•	•	•	•	•	•
30		•	•	•	•	•	•
35			•	•	•	•	•
40			•	•	•	•	•
45				•	•	•	•
50		•		•	•	•	•
55				•	•		
60				•	•		
70				•			
80							•