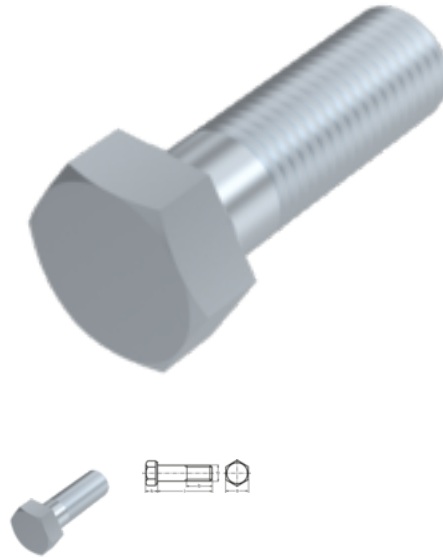


# ISO 4014 / DIN 931, hexagon head bolt, M 8x80, 10.9, zinc-plated, standard, 5 µm, Zn5/An/T0



**Article number**  
260931880

**EAN**  
None

**Weight in kg**  
0.036

**Customs number**  
73181588

**Diameter**  
8 mm

**Length**  
80 mm

**Material**  
Steel

**Quality additional filter**  
10.9

**Coating**  
zinc-plated, standard, 5 µm, Zn5/An/T0

**Force application**  
SW 13

**Norm**  
ISO 4014 / DIN 931

## Product details

ISO 4014.

Material	Steel
Total length l	80 mm
Length	80 mm
Norm	ISO 4014
Diameter	8 mm
Height of the head k	5.3 mm
Coating	zinc-plated, standard, 5 µm, Zn5/An/T0
Thread length b	22 mm
Force application type	External hex

Norm	ISO 4014 / DIN 931
Quality additional filter	10.9
Force application	SW 13
Diameter d	8 mm

**Remarks**

Changed SW for ISO. M 10, M 12, M 14 and M 22 only available according to DIN 931. For further sizes see ISO 4014. Attention: Possibility of hydrogen embrittlement acc. ISO 4042. For further questions, please contact us under: [engineering@keller-kalmbach.com](mailto:engineering@keller-kalmbach.com)

**Application**

Universell einsetzbar, vor allem im Maschinenbereich

**Product variants**

Force application	SW 13
Norm	
ISO 4014 / DIN 931	•