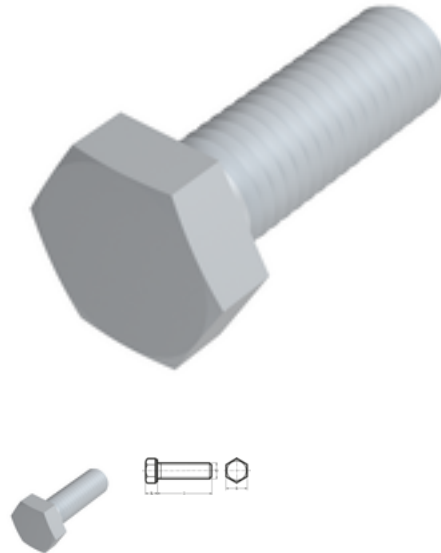


DIN 933, hexagon head bolt, M 8x20, 8.8, zinc flake, 480h, flZn/nc/TL μ 0,09 - 0,14



Article number
280933820

EAN
None

Weight in kg
0.012

Customs number
73181588

Material
Steel

Quality
8.8

Coating
zinc flake, 480h, flZn/nc/T
L μ 0,09 - 0,14

Diameter
8 mm

Length
20 mm

Force application
SW 13

Norm
ISO 4017 / DIN 933

Product details

Threaded close up to the head.

Material	Steel
Force application type	External hex
Length	20 mm
Norm	ISO 4017 / DIN 933
Total length l	20 mm
Norm	ISO 4017
Diameter	8 mm
Quality	8.8
Force application	SW 13

Height of the head k	5.3 mm
Coating	zinc flake, 480h, flZn/nc/TL μ 0,09 - 0,14
Diameter d	8 mm

Remarks

Standard was withdrawn. DIN similar to ISO 4017. Changed SW for ISO.Sizes M 10 and M 12 only available in DIN 933.

Application

Universell einsetzbar, vor allem im Maschinenbereich

Product variants

Force application	SW 13
Norm	
ISO 4017 / DIN 933	•