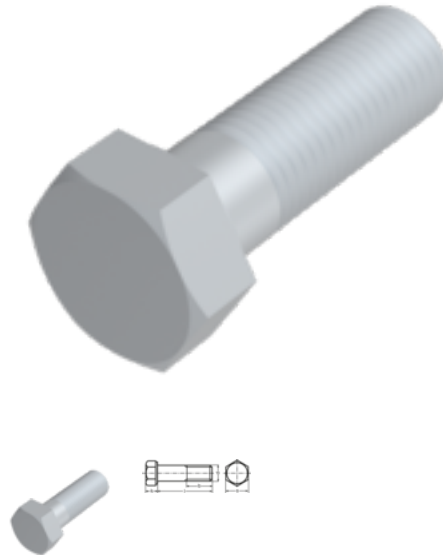


# ISO 4014 / DIN 931, hexagon head bolt, M 20x80, 10.9, zinc flake, 480h, flZn/nc/TL $\mu$ 0,09 - 0,14



**Article number**  
2909312080

**EAN**  
None

**Weight in kg**  
0.255

**Customs number**  
73181588

**Diameter**  
20 mm

**Length**  
80 mm

**Material**  
Steel

**Quality additional filter**  
10.9

**Coating**  
zinc flake, 480h, flZn/nc/T  
L  $\mu$ 0,09 - 0,14

**Force application**  
SW 30

**Norm**  
ISO 4014 / DIN 931

## Product details

ISO 4014.

Material	Steel
Total length l	80 mm
Length	80 mm
Norm	ISO 4014
Diameter	20 mm
Height of the head k	12.5 mm
Coating	zinc flake, 480h, flZn/nc/TL $\mu$ 0,09 - 0,14
Thread length b	46 mm
Force application type	External hex

Norm	ISO 4014 / DIN 931
Quality additional filter	10.9
Force application	SW 30
Diameter d	20 mm

### Remarks

Changed SW for ISO. M 10, M 12, M 14 and M 22 only available according to DIN 931. For further sizes see ISO 4014.

### Application

Universell einsetzbar, vor allem im Maschinenbereich

### Product variants

Force application	SW 30
Norm	
ISO 4014 / DIN 931	•