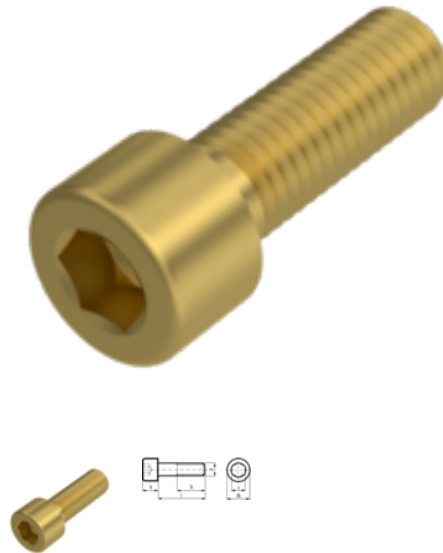


# ISO 4762 / DIN 912, cap screw, M 4x12, 8.8, zinc-plated, yellow, 5µm, A2L



**Article number**  
340912412

**EAN**  
None

**Weight in kg**  
0.002

**Customs number**  
73181568

**Material**  
Steel

**Quality**  
8.8

**Coating**  
zinc-plated, yellow, 5µm, A2L

**Diameter**  
4 mm

**Length**  
12 mm

## Product details

With hexagon socket.

Material	Steel
Depth t	2 mm
Total length l	12 mm
Length	12 mm
Norm	ISO 4762
Diameter	4 mm
Height of the head k	4 mm
Coating	zinc-plated, yellow, 5µm, A2L
Diameter of the head dk	7 mm
Thread length b	12 mm
Force application type	Hex socket

Quality	8.8
Force application	ISK 3
Diameter d	4 mm

### Remarks

Standard was withdrawn. DIN similar to ISO 4762. Teile können Chrom 6 frei nach Wahl angeboten werden.

### Product variants

Diameter (mm)	3	4	5	6	8	10	12	16	20
Length (mm)									
6		•	•						
8	•		•						
10				•	•				
12	•	•							
16						•			
18	•	•	•						
20		•							
25	•	•							
30			•				•		
35			•						
40		•	•			•			•
45				•	•				
50		•						•	
55				•	•	•	•		
60			•	•	•			•	
65				•	•		•		
70									•
80				•				•	•
90				•	•	•			
100				•			•		
120						•			
130								•	
160					•				
180							•		