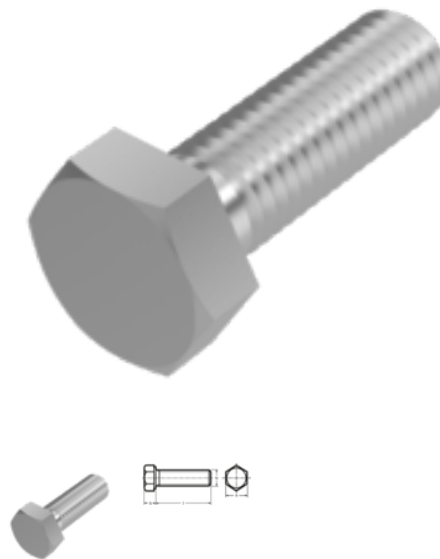


ISO 4017, Hexagon bolt, M 12x35, 8.8, zinc-plated, thick layer, 8 μ m, Zn8/Cn/T2 μ 0,12 - 0,18



Article number
406440171235

EAN
None

Weight in kg
0.04

Customs number
73181588

Material
Steel

Quality
8.8

Coating
zinc-plated, thick layer, 8 μ m, Zn8/Cn/T2 μ 0,12 - 0,18

Diameter
12 mm

Length
35 mm

Force application
SW 18

Norm
ISO 4017

Product details

Threaded close up to the head.

| | |
|------------------------|--------------|
| Material | Steel |
| Force application type | External hex |
| Length | 35 mm |
| Norm | ISO 4017 |
| Total length I | 35 mm |
| Norm | ISO 4017 |
| Diameter | 12 mm |
| Quality | 8.8 |

| | |
|----------------------|--|
| Force application | SW 18 |
| Height of the head k | 7.5 mm |
| Coating | zinc-plated, thick layer, 8 µm, Zn8/Cn/T2 µ0,12 - 0,18 |
| Diameter d | 12 mm |

Remarks

Replacement for DIN 933. Changed SW for DIN. Item is delivered according to ISO. For further sizes see DIN 933.

Product variants

| Force application | SW 18 | SW 19 |
|-------------------|-------|-------|
| Norm | | |
| DIN 933 | | • |
| ISO 4017 | • | |