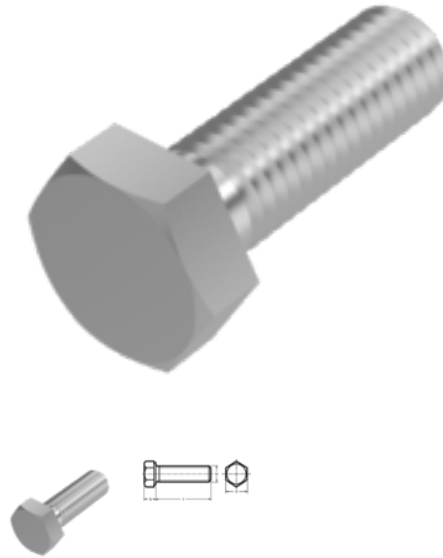


# ISO 4017, Hexagon bolt, M 12x45, 8.8, zinc-plated, thick layer, 8 µm, Zn8/Cn/T2 µ0,12 - 0,18



**Article number**  
406440171245

**EAN**  
None

**Weight in kg**  
0.051

**Customs number**  
73181588

**Material**  
Steel

**Quality**  
8.8

**Coating**  
zinc-plated, thick layer, 8 µm, Zn8/Cn/T2 µ0,12 - 0,18

**Diameter**  
12 mm

**Length**  
45 mm

**Force application**  
SW 18

**Norm**  
ISO 4017

## Product details

Threaded close up to the head.

Material	Steel
Force application type	External hex
Length	45 mm
Norm	ISO 4017
Total length I	45 mm
Norm	ISO 4017
Diameter	12 mm
Quality	8.8

Force application	SW 18
Height of the head k	7.5 mm
Coating	zinc-plated, thick layer, 8 µm, Zn8/Cn/T2 µ0,12 - 0,18
Diameter d	12 mm

## Remarks

Replacement for DIN 933. Changed SW for DIN. Item is delivered according to ISO. For further sizes see DIN 933.

## Product variants

Force application	SW 18	SW 19
<b>Norm</b>		
DIN 933		•
ISO 4017	•	