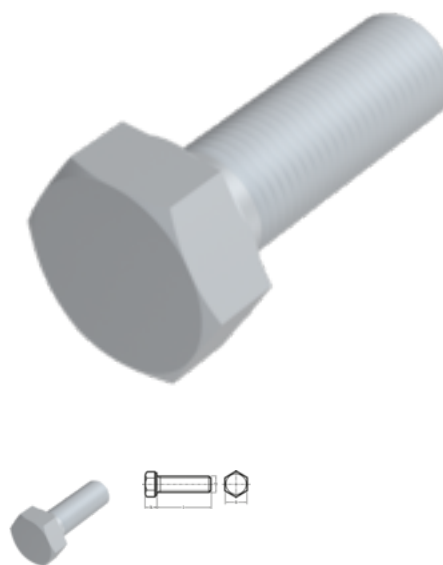


ISO 8676, Hexagon head screw with thread to head, fine pitch thread, M 10x1,25x25, 10.9, zinc flake, 480h, flZn/nc/TL μ 0,09 - 0,14



Article number
443586761012525

EAN
None

Weight in kg
0.026

Customs number
73181588

Material
Steel

Quality
10.9

Coating
zinc flake, 480h, flZn/nc/T
L μ 0,09 - 0,14

Thread incline
1,25 mm

Diameter
10 mm

Length
25 mm

Product details

Material	Steel
Total length l	25 mm
Length	25 mm
Norm	ISO 8676
Diameter	10 mm
Height of the head k	6.4 mm
Coating	zinc flake, 480h, flZn/nc/TL μ 0,09 - 0,14
Thread incline	1.25 mm
Thread length b	25 mm
Force application type	External hex
Quality	10.9

Force application SW 16

Diameter d 10 mm

Product variants

Diameter (mm)	10
Length (mm)	•
25	