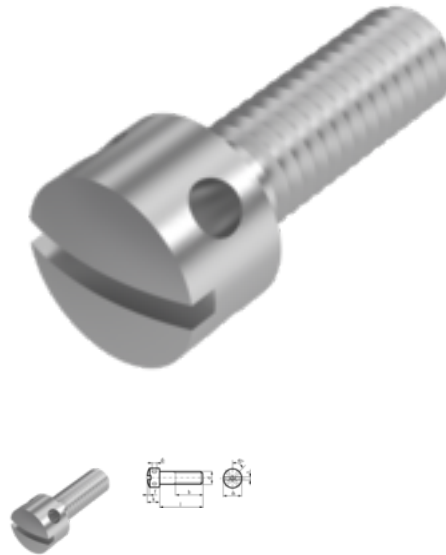


# DIN 404, Capstan screw with slot, M 4x6, A1



**Article number**  
52040446

**Weight in kg**  
0.001

**Customs number**  
73181552

**Material**  
Stainless steel

**Quality**  
A1

**Coating**  
pln

**Diameter**  
4 mm

**Length**  
6 mm

## Product details

Material	Stainless steel
Total length l	6 mm
Length	6 mm
Lens height f	0.6 mm
Norm	DIN 404
Diameter	4 mm
Height of the head k	5 mm
Coating	pln
Diameter of the head dk	7 mm
Thread length b	6 mm
Force application type	Slot
Diameter d1	2 mm
Quality	A1
Force application	SZ 1
Diameter d	4 mm

## Product variants

Diameter (mm)	2	3	4	5	6
Length (mm)					
4		•			
5		•			
6	•	•	•		
8		•	•	•	
10		•	•	•	•
12		•	•	•	•
16		•	•	•	•
20		•	•	•	•
25			•	•	•
30			•	•	•