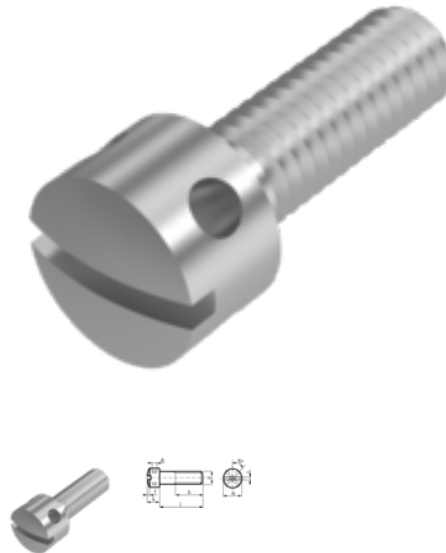


DIN 404, Capstan screw with slot, M 5x16, A1



Article number
520404516

Weight in kg
0.004

Customs number
73181552

Material
Stainless steel

Quality
A1

Coating
pln

Diameter
5 mm

Length
16 mm

Product details

Material	Stainless steel
Total length l	16 mm
Length	16 mm
Lens height f	0.7 mm
Norm	DIN 404
Diameter	5 mm
Height of the head k	6.5 mm
Coating	pln
Diameter of the head dk	8.5 mm
Thread length b	16 mm
Force application type	Slot
Diameter d1	2.5 mm
Quality	A1
Force application	SZ 1,2
Diameter d	5 mm

Product variants

Diameter (mm)	2	3	4	5	6
Length (mm)					
4		•			
5		•			
6	•	•	•		
8		•	•	•	
10		•	•	•	•
12		•	•	•	•
16		•	•	•	•
20		•	•	•	•
25			•	•	•
30			•	•	•