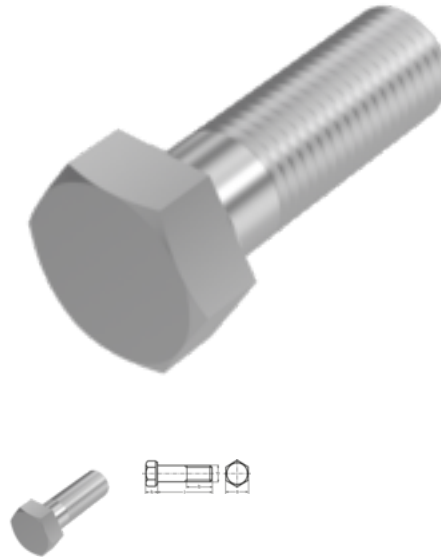


ISO 4014 / DIN 931, hexagon head bolt, M 20x220, A2-70



Article number
52093120220

EAN
None

Weight in kg
0.59

Customs number
73181575

Diameter
20 mm

Length
220 mm

Material
Stainless steel

Quality additional filter
A2

Coating
pln

Force application
SW 30

Norm
ISO 4014 / DIN 931

Product details

ISO 4014.

Material	Stainless steel
Total length l	220 mm
Length	220 mm
Norm	ISO 4014
Diameter	20 mm
Height of the head k	12.5 mm
Coating	pln
Thread length b	65 mm
Force application type	External hex
Norm	ISO 4014 / DIN 931
Quality additional filter	A2

Force application	SW 30
-------------------	-------

Diameter d	20 mm
------------	-------

Remarks

Changed SW for ISO. M 10, M 12, M 14 and M 22 only available according to DIN 931. For further sizes see ISO 4014. Material:
up to M 20: A2-70
from M 22: A2-50.

Application

Universell einsetzbar, vor allem im Maschinenbereich

Product variants

Force application	SW 30
Norm	
ISO 4014 / DIN 931	•