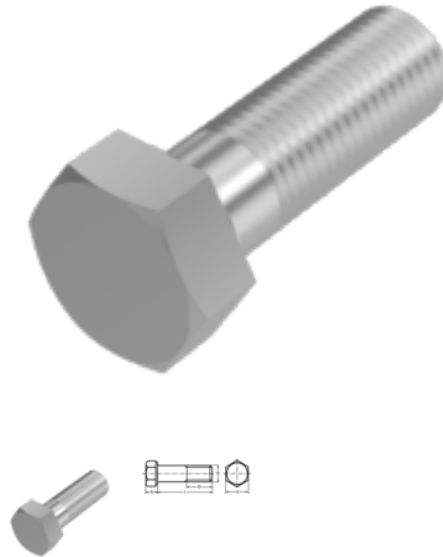


ISO 4014 / DIN 931, hexagon head bolt, M 20x240, A2-70



Article number
52093120240

EAN
None

Weight in kg
0.644

Customs number
73181575

Diameter
20 mm

Length
240 mm

Material
Stainless steel

Quality additional filter
A2

Coating
pln

Force application
SW 30

Norm
ISO 4014 / DIN 931

Product details

ISO 4014.

Material Stainless steel

Total length l 240 mm

Length 240 mm

Norm ISO 4014

Diameter 20 mm

Height of the head k 12.5 mm

Coating pln

Thread length b 65 mm

Force application type External hex

Norm ISO 4014 / DIN 931

Quality additional filter A2

Force application	SW 30
Diameter d	20 mm

Remarks

Changed SW for ISO. M 10, M 12, M 14 and M 22 only available according to DIN 931. For further sizes see ISO 4014. Material:
 up to M 20: A2-70
 from M 22: A2-50.

Application

Universell einsetzbar, vor allem im Maschinenbereich

Product variants

Force application	SW 30
Norm	
ISO 4014 / DIN 931	•