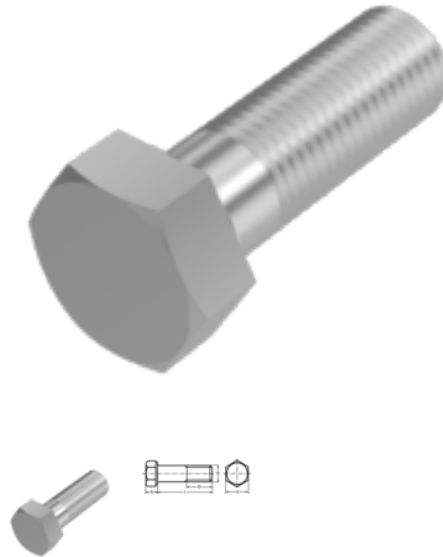


# ISO 4014 / DIN 931, hexagon head bolt, M 20x260, A2-70



**Article number**  
52093120260

**EAN**  
None

**Weight in kg**  
0.694

**Customs number**  
73181575

**Diameter**  
20 mm

**Length**  
260 mm

**Material**  
Stainless steel

**Quality additional filter**  
A2

**Coating**  
pln

**Force application**  
SW 30

**Norm**  
ISO 4014 / DIN 931

## Product details

ISO 4014.

Material	Stainless steel
Total length l	260 mm
Length	260 mm
Norm	ISO 4014
Diameter	20 mm
Height of the head k	12.5 mm
Coating	pln
Thread length b	65 mm
Force application type	External hex
Norm	ISO 4014 / DIN 931
Quality additional filter	A2

Force application	SW 30
Diameter d	20 mm

## Remarks

Changed SW for ISO. M 10, M 12, M 14 and M 22 only available according to DIN 931. For further sizes see ISO 4014. Material:  
up to M 20: A2-70  
from M 22: A2-50.

## Application

Universell einsetzbar, vor allem im Maschinenbereich

## Product variants

Force application	SW 30
Norm	
ISO 4014 / DIN 931	•