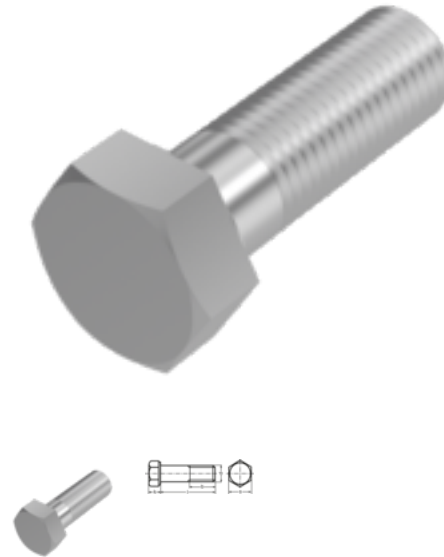


ISO 4014 / DIN 931, hexagon head bolt, M 6x25, A2-70



Article number 520931625	Weight in kg 0.007
Customs number 73181575	Diameter 6 mm
Length 25 mm	Material Stainless steel
Quality additional filter A2	Coating pln
Force application SW 10	Norm ISO 4014 / DIN 931

Product details

ISO 4014.

Material	Stainless steel
Total length l	25 mm
Length	25 mm
Norm	ISO 4014
Diameter	6 mm
Height of the head k	4 mm
Coating	pln
Thread length b	18 mm
Force application type	External hex
Norm	ISO 4014 / DIN 931
Quality additional filter	A2
Force application	SW 10

Diameter d 6 mm

Remarks

Changed SW for ISO. M 10, M 12, M 14 and M 22 only available according to DIN 931. For further sizes see ISO 4014. Material:
up to M 20: A2-70
from M 22: A2-50.

Application

Universell einsetzbar, vor allem im Maschinenbereich

Product variants

Force application	SW 10
Norm	
ISO 4014 / DIN 931	•